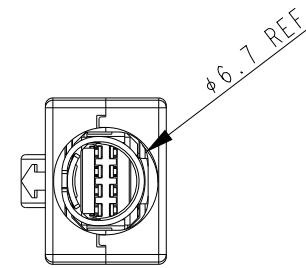
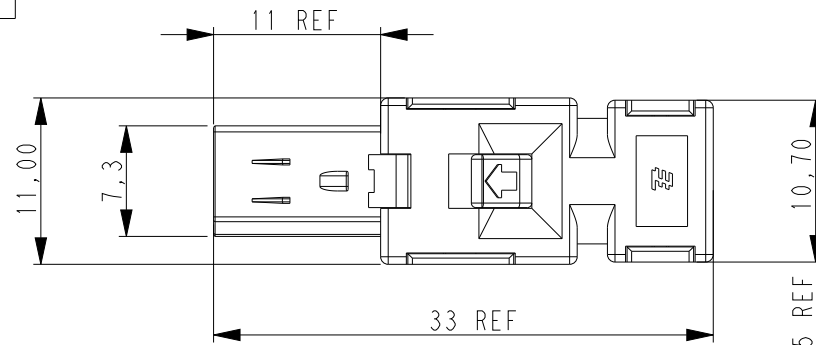
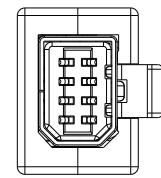
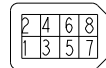


P	LTR	DESCRIPTION	DATE	DWN	APVD
D3		NOTE 4 ADDED (PROP 65 WARNING)	25AUG2020	SS	JDB
D4		ADD NEW PART VARIANT 3-2013595-1	02SEP2020	SS	JDB
E		ECR-22-147692 CANCEL PRINT INK ON EJECTOR	07FEB2023	BP	JDB
F1		ECR-23-170132 REMOVE INSTRUCTION SHEET IN TRAY	21JUL2023	BP	JDB

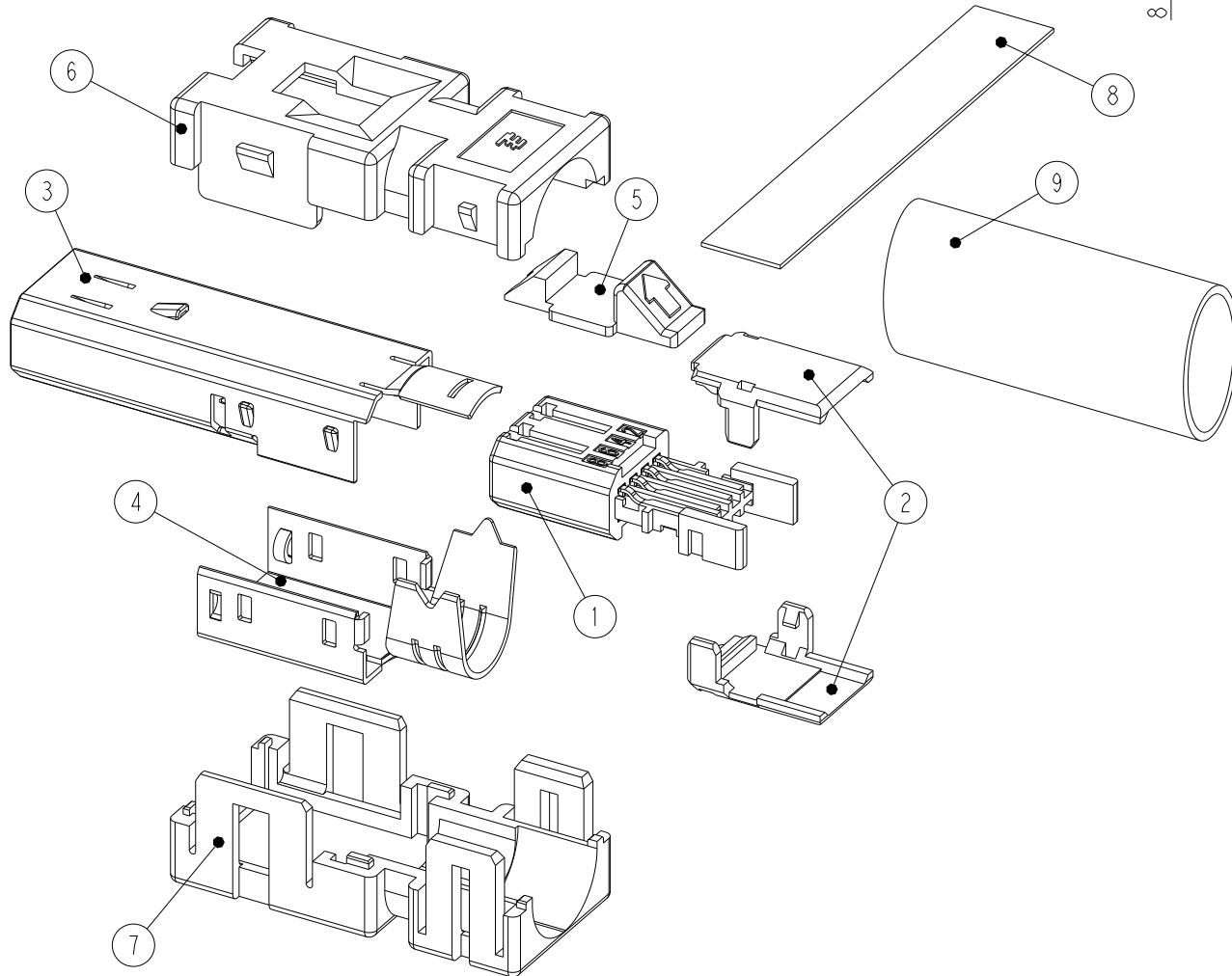
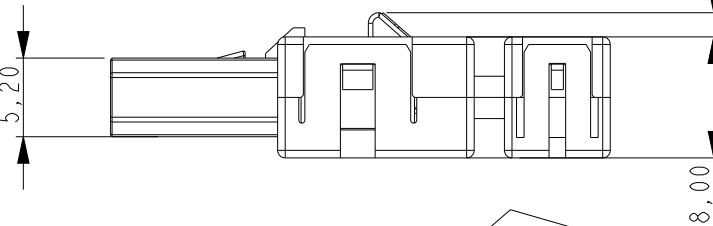


D-SHAPE TYPE 1



CIRCUIT NO.

VIEW



4	4	4	4	4					
1	1	-	1	1	CROSS-LINKED POLYOLEFIN	HEAT SHRINKABLE TUBE		⑨	
1	1	-	1	1	ELECTROLYSIS COPPER FOIL, ACRYLIC ADHESIVE MATERIAL	COPPER FOIL TAPE		⑧	
-	1	-	-	-	POLYESTER OF GLASS FILLED THERMO PLASTIC(UL94V-0)	BOTTOM COVER	YELLOW	⑦	
-	-	1	-	-	POLYESTER OF GLASS FILLED THERMO PLASTIC(UL94V-0)	BOTTOM COVER	GREY		
1	-	-	1	1	POLYESTER OF GLASS FILLED THERMO PLASTIC(UL94V-0)	BOTTOM COVER	BLACK		
-	1	-	-	-	POLYESTER OF GLASS FILLED THERMO PLASTIC(UL94V-0)	TOP COVER	YELLOW	⑥	
-	-	1	-	-	POLYESTER OF GLASS FILLED THERMO PLASTIC(UL94V-0)	TOP COVER	GREY		
1	-	-	1	1	POLYESTER OF GLASS FILLED THERMO PLASTIC(UL94V-0)	TOP COVER	BLACK		
-	1	-	-	-	POLYESTER OF GLASS FILLED THERMO PLASTIC(UL94V-0)	LOCK EJECTOR	WHITE PRINT	⑤	
1	1	1	1	1	POLYESTER OF GLASS FILLED THERMO PLASTIC(UL94V-0)	LOCK EJECTOR	BLACK		
1	1	1	1	1	STEEL/UNDER:Cu PLATING, TOP:Ni PLATING	BOTTOM SHELL		④	
1	1	1	1	1	STEEL/UNDER:Cu PLATING, TOP:Ni PLATING	TOP SHELL		③	
2	2	2	2	2	POLYESTER OF GLASS FILLED THERMO PLASTIC(UL94V-0)	PLUG HSG COVER		②	
1	-	-	-	-	CONTACT: COPPER ALLOY UNDER ALL SURFACE: Ni PLATING 1.27± ⁰ μmMIN TOP CONTACT AREA: Au PLATING: 0.76 μmMIN SOLDERING AREA: Au FLASH HSG: POLY-AMID OF GLASS FILLED THERMO PLASTIC(UL94V-0)	PLUG HSG SUB ASSY		①	
-	1	1	1	1	CONTACT: COPPER ALLOY UNDER ALL SURFACE: Ni PLATING 1.27± ⁰ μmMIN TOP CONTACT AREA: Au PLATING: 0.5 μmMIN SOLDERING AREA: Au FLASH HSG: POLY-AMID OF GLASS FILLED THERMO PLASTIC(UL94V-0)				
3-2013595-1	2013595-4	2013595-3	2013595-2	2013595-1					
REQ'D/ASSY					MATERIAL / FINISH		PART NAME	COLOR	ITEM NO.

1. APPLICABLE CABLE: RECOMMENDED AWG30~26 X 8C
MAX AWG22 X4C
OVERALL DIAMETER 6.7MAX.

2. DATE CODE IS DESCRIBED ON THE BUNDLED CUSTOMER DRAWING.
3. THE PRODUCT OF THIS DRAWING NO. IS PACKED INDIVIDUALLY
IN PACKAGE OF EXCLUSIVE USE.



4 PROP 65 WARNING LABEL: SEE SHEET 2

THIS DRAWING IS A CONTROLLED DOCUMENT.

DIMENSIONS: mm	TOLERANCES UNLESS OTHERWISE SPECIFIED: ±0.3
	0 PLC ±
	1 PLC ±0.5
	2 PLC ±0.13
	3 PLC ±0.013
	4 PLC ±0.0001
	ANGLES ±
MATERIAL SEE TABLE	FINISH SEE TABLE

DWN	12NOV2007
CHK	12NOV2007
APVD	12NOV2007
PRODUCT SPEC	108-78405
APPLICATION SPEC	114-5431
WEIGHT	-
CUSTOMER DRAWING	

TE TE Connectivity

INDUSTRIAL MINI I/O
PLUG CONNECTOR KIT
D-SHAPE TYPE 1

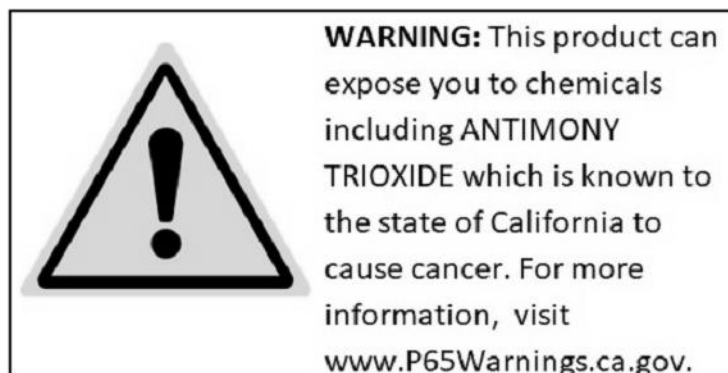
SIZE	CAGE CODE	DRAWING NO	RESTRICTED TO
A3	00779	©-2013595	

SCALE 5:2 SHEET 1 OF 2 REV F1


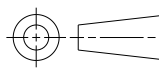
NOTES: CONTINUATION FROM SHEET 1:

4 PROP 65 WARNING LABEL:

- THE WARNING LABEL ON THE PRODUCT OR LOWEST LEVEL PACKAGING.
- CHEMICAL NAME: ANTIMONY TRIOXIDE



REVISIONS					
P	LTR	DESCRIPTION	DATE	DWN	APVD
	-	SEE SHEET 1	-	-	-

THIS DRAWING IS A CONTROLLED DOCUMENT.		DWN S. INOMATA 12NOV2007	 TE Connectivity		
DIMENSIONS: mm		CHK I. HASEGAWA 12NOV2007			
TOLERANCES UNLESS OTHERWISE SPECIFIED: ±0.3		APVD I. HASEGAWA 12NOV2007	NAME INDUSTRIAL MINI I/O PLUG CONNECTOR KIT D-SHAPE TYPE 1		
		PRODUCT SPEC 108-78405	RESTRICTED TO		
MATERIAL SEE TABLE		FINISH SEE TABLE	APPLICATION SPEC 114-5431	SIZE A3	CAGE CODE 00779
		WEIGHT -	DRAWING NO C-2013595	SCALE 5:2	SHEET 2 OF 2
		CUSTOMER DRAWING	REV F1		